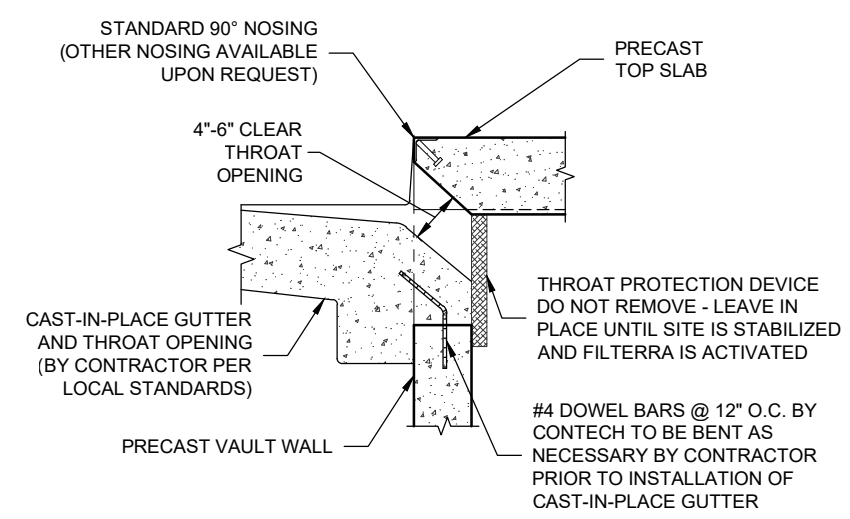
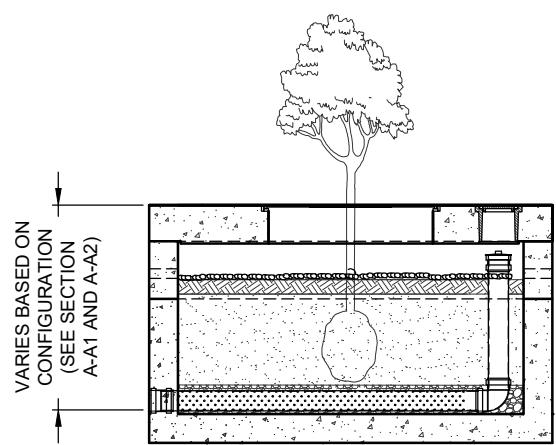
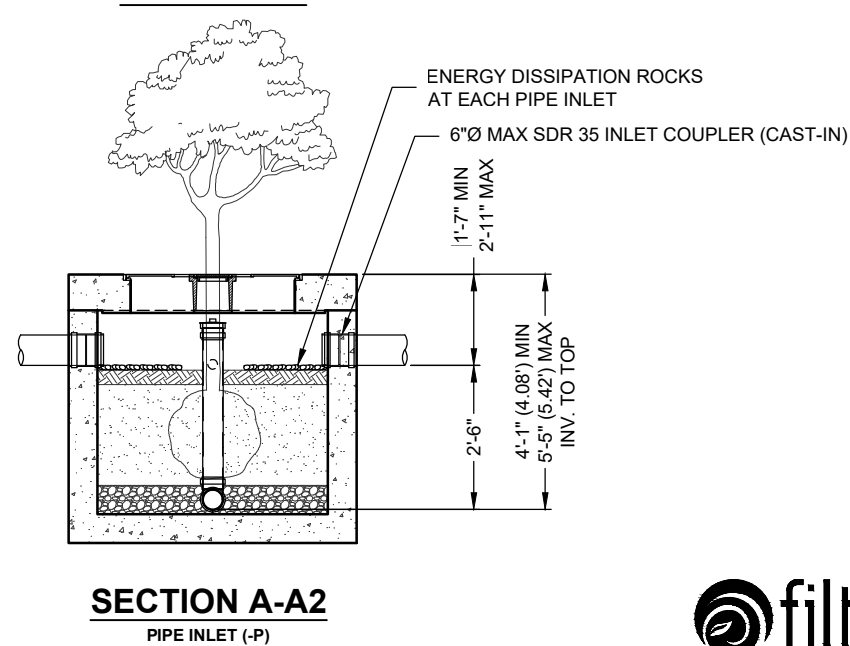
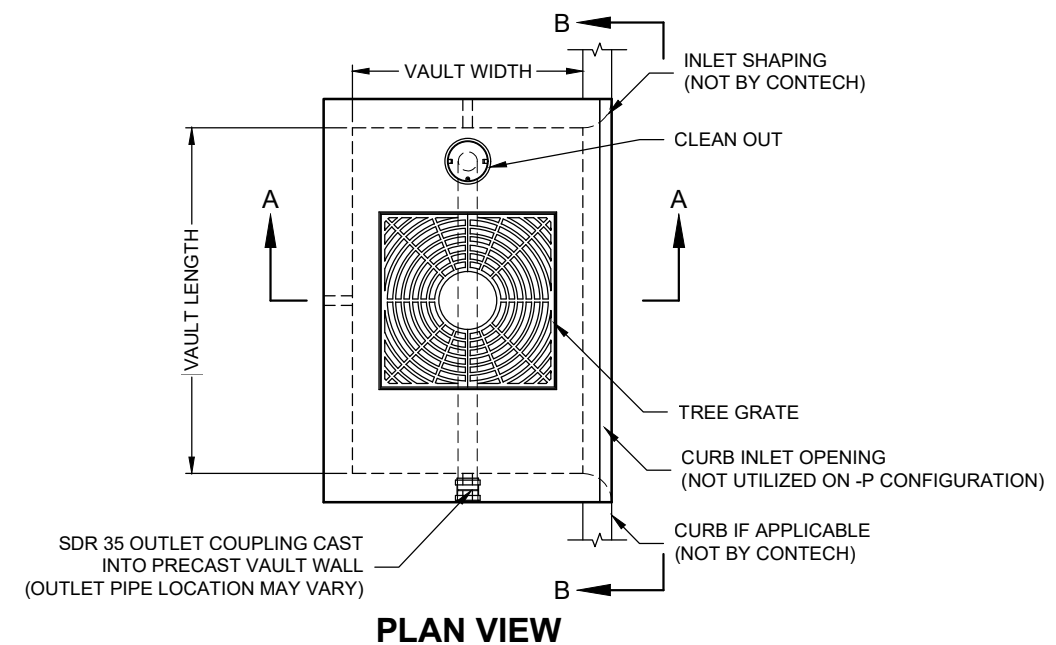
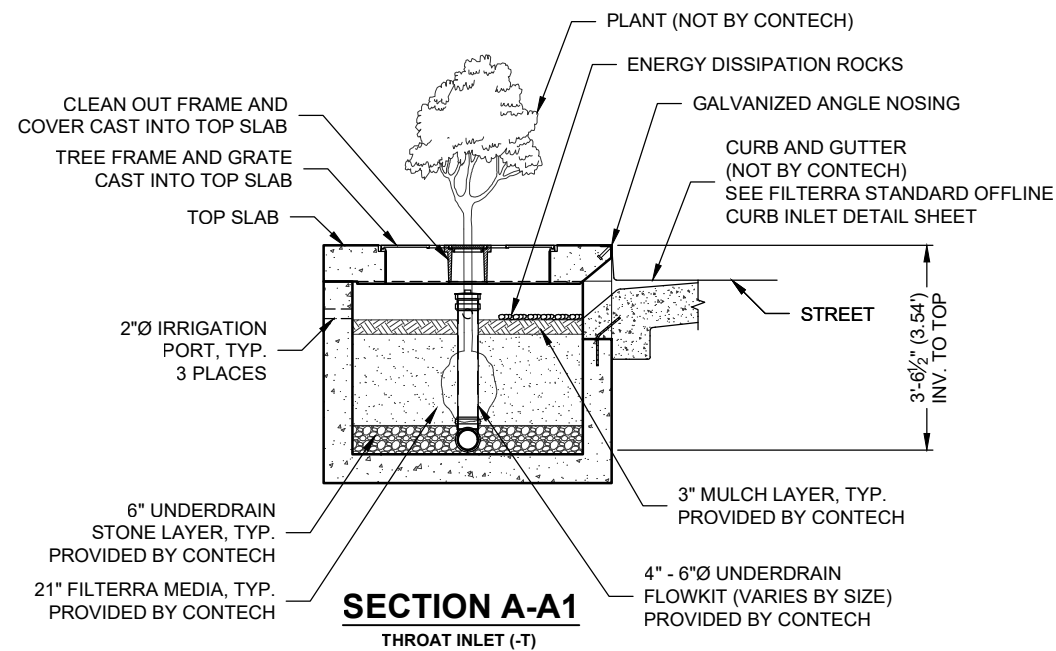


I:\COMMON\CAD\TREATMENT\54 FILTERRA\40 STANDARD DRAWINGS\IN PROCESS\STD DETAILS\FT - FILTERRA OFFLINE CONFIG DTL.DWG 3/14/2023 3:11 PM



FT CONFIGURATION (OPTIONS: THROAT INLET "-T", PIPE INLET "-P")						
VAULT SIZE (L x W)	MEDIA AREA (SF)	LONG SIDE INLET DESIG. / PART NO.	SHORT SIDE INLET DESIG. / PART NO.	AVAILABILITY	OUTLET PIPE DIA	MIN. NO. OF INLET PIPES (-P ONLY)
4 x 4	16	FT0404	FT0404	ALL	4" SDR 35	1
6 x 4	24	FT0604	FT0406	ALL	4" SDR 35	1
8 x 4	32	FT0804	FT0408	ALL (EXCEPT DE, MD, NJ, PA, VA, WV)	4" SDR 35	1
7.83 x 4.5	35	FT078045	FT045078	DE, MD, NJ, PA, VA, WV ONLY	4" SDR 35	1
6 x 6	36	FT0606	FT0606	ALL (EXCEPT CA, TX)	4" SDR 35	1
8 x 6	48	FT0806	FT0608	ALL	4" SDR 35	1
10 x 6	60	FT1006	FT0610	ALL (EXCEPT CA, TX)	6" SDR 35	2
8 x 8	64	FT0808	FT0808	CA, TX ONLY	6" SDR 35	2
12 x 6	72	FT1206	FT0612	ALL (EXCEPT TX)	6" SDR 35	2
10 x 8	80	FT1008	FT0810	CA, TX ONLY	6" SDR 35	2
13 x 7	91	FT1307	FT0713	ALL (EXCEPT CA, TX)	6" SDR 35	2
12 x 8	96	FT1208	FT0812	CA, TX ONLY	6" SDR 35	2
14 x 8	112	FT1408†	N/A	ALL	6" SDR 35	3
16 x 8	128	FT1608†	N/A	ALL (EXCEPT OR, WA)	6" SDR 35	3
15 x 9	135	FT1509†	N/A	OR, WA ONLY	6" SDR 35	3
18 x 8	144	FT1808†	N/A	CALL CONTECH	6" SDR 35	3
20 x 8	160	FT2008†	N/A	CALL CONTECH	6" SDR 35	4
22 x 8	176	FT2208†	N/A	CALL CONTECH	6" SDR 35	4

†UTILIZES (2) CURB OPENINGS WITH MIN 6" SPACING

INTERNAL PIPE CONFIGURATION MAY VARY DEPENDING ON VAULT SIZE

The design and information shown on this drawing is provided as a service to the project owner, engineer and contractor by Contech Engineered Solutions LLC or one of its affiliated companies ("Contech"). Neither this drawing, nor any part thereof, may be used, reproduced or modified in any manner without the prior written consent of Contech. Failure to comply is done at the user's own risk and Contech expressly disclaims any liability or responsibility for such use. If discrepancies between the supplied information upon which the drawing is based and actual field conditions are encountered as site work progresses, these discrepancies must be reported to Contech immediately for re-evaluation of the design. Contech accepts no liability for designs based on missing, incomplete or inaccurate information supplied by others.



CONTECH
ENGINEERED SOLUTIONS LLC
www.ContechES.com
9100 Centre Pointe Dr., Suite 400, West Chester, OH 45069
800-338-1122 513-645-7000 513-645-7993 FAX

FILTERRA OFFLINE (FT)
CONFIGURATION DETAIL