

ABS & PVC TRUSS PIPE, FITTINGS AND COMPONENTS JOINTING INFORMATION

JOINING SOLVENT WELDED TRUSS PIPE® AND FITTINGS

- **MAKING ABS SOLVENT WELDS:**
Use Contech ABS cement (black) with MEK primer.

- **MAKING PVC SOLVENT WELDS:**
Use Contech PVC cement (blue) with PVC primer (purple).
Note: Solvent welding PVC in standing or running water is not recommended.

- **PRIMER & CEMENT REQUIREMENTS FOR MAKING SOLVENT WELD PIPE JOINTS:**

<i>Cement and Primer Usage (Joints per Gallon)</i>		
<i>Size</i>	<i>Primer</i>	<i>Cement</i>
4"	125	86
6"	55	38
8"	40	28
10"	28	20
12"	21	15
15"	14	10

JOINING PVC GASKETED PIPE AND FITTINGS (ASTM D3212)

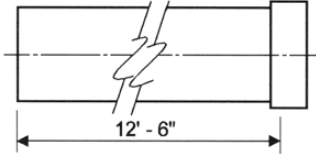
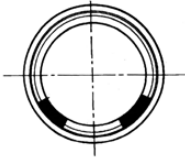
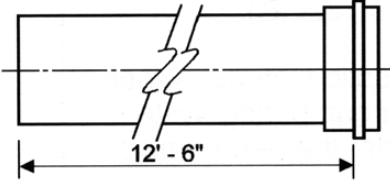

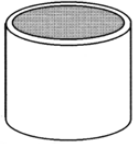
<i>Lubricant Requirements (Joints per Gallon)</i>	
<i>Pipe Size</i>	<i>Lubricant</i>
4"	300
6"	220
8"	100
10"	64
12"	48
15"	25

ABS & PVC TRUSS PIPE, FITTINGS AND COMPONENTS

GENERAL NOTES

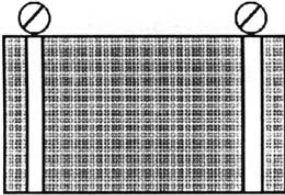
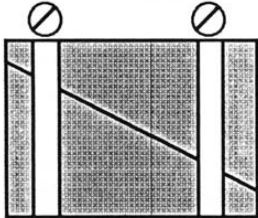
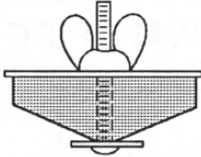
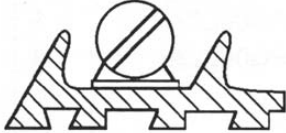
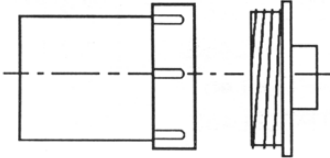
1. All drawings herein are for illustrative purposes only and are not intended as true representations of actual parts.
2. All dimensions have been rounded to the nearest 1/10th inch.
3. This catalog shows the most commonly used components. TRUSS PIPE parts and fittings not shown may be available from Contech® CONSTRUCTION PRODUCTS INC. Contact your local Contech Plastic Pipe specialist about items not listed.
4. Some fittings are available with various joint configurations. These are noted as Hub ends and Spigot ends, using standard pipe terminology. Fitting ends noted as "H" or "h" are hub ends for non-reducing (H) and reducing (h) outlet ends respectively. End notes as "S" are spigot ends. Ends noted as "H or S" are available either as a Hub end (H) or a Spigot end (S).
5. Most parts are available as PVC or ABS plastic material.
6. Fittings for TRUSS PIPE are also available fabricated from TRUSS PIPE with Hub x Spigot (H-S) or Hub x Hub (H-H) on main line.
7. 15" PVC Solvent Welded TRUSS PIPE is not a standard production item and is only available upon special request.

ABS & PVC TRUSS PIPE AND COMPONENTS

TYPE	AVAILABLE SIZES	A	B	C
		(Inches)		
<p style="text-align: center;"><i>SOLVENT WELD PIPE *</i></p>  <p>Notes: a) 4" & 6" pipe is supplied in 13'-0" laying lengths. b) TRUSS PIPE is available only in 8" thru 15" sizes.</p>	<p>4" (H-S) a) 6" (H-S) a) 8" (H-S)</p>			
<p style="text-align: center;"><i>SOLVENT WELD PERFORATED PIPE *</i></p> 	<p>4" (H-S) a) 6" (H-S) a) 8" (H-S)</p>			
<p style="text-align: center;"><i>PVC GASKETED PIPE</i></p>  <p>Notes: a) 4" & 6" pipe is supplied in 13'-0" laying lengths. b) TRUSS PIPE is available only in 8" thru 15" sizes.</p>	<p>4" (H-S) a) 6" (H-S) a) 8" (H-S)</p>			
<p style="text-align: center;"><i>JOHNNY MOP</i></p> 				
<p style="text-align: center;"><i>PRIMER AND CEMENT*</i></p> 	<p>Cement, One Gallon Cement, One Quart Primer, One Gallon Primer, One Quart</p>			

* This product is available in either PVC or ABS material.

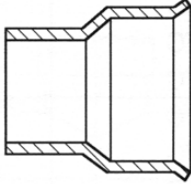
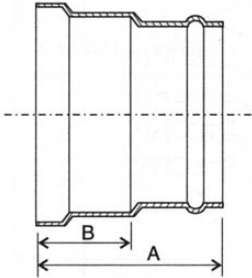
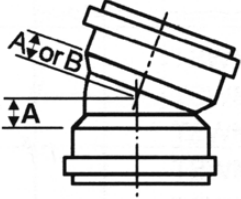
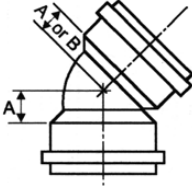
ABS & PVC TRUSS PIPE AND COMPONENTS

TYPE	AVAILABLE SIZES	A	B	C
		(Inches)		
<p><i>RUBBER REPAIR COUPLINGS</i></p> 	<p>4" 6" 8" 10" 12" 15"</p>			
<p><i>SHEAR STOP FOR REPAIR COUPLINGS*</i></p> 	<p>4" 6" 8" 10" 12" 15"</p>			
<p><i>MECHANICAL PLUG</i></p> 	<p>4" 6"</p>			
<p><i>MANHOLE WATER STOP</i></p> 	<p>4" 6" 8" 10" 12" 15"</p>			
<p><i>CLEANOUT & CAP</i></p> 	<p>4" 6"</p>			

Notes:
a) Molded parts.

* This product is available in either PVC or ABS material.

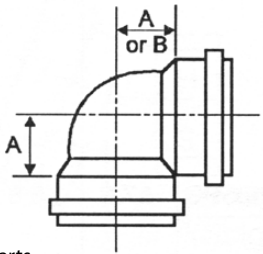
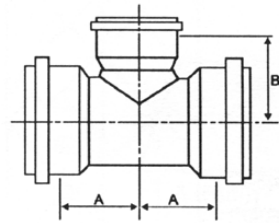
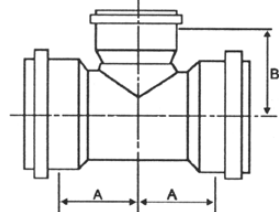
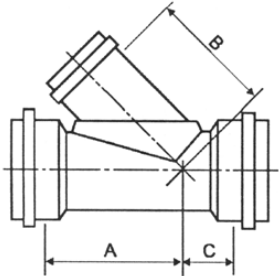
ABS & PVC TRUSS PIPE AND COMPONENTS

TYPE	AVAILABLE SIZES	A	B	C
		(Inches)		
<p style="text-align: center;"><i>4" ADAPTERS*</i></p>  <p>Notes: a) For connecting 4" solid wall pipe to other pipe types shown. b) One end is solid wall Spigot (S), other end is Hub (H) to receive other type pipe.</p>	<p>To 4" Cast Iron Spigot To 4" ABS or PVC DWV To 6" Cast Iron Spigot</p>			
<p style="text-align: center;"><i>IN-LINE ADAPTERS*</i></p>  <p>Note: a) TRUSS PIPE end is also available with solvent weld bell.</p>	<p>8" TRUSS PIPE to 8" Ductile Iron Pipe</p> <p>10" TRUSS PIPE to 10" Ductile Iron Pipe</p> <p>12" TRUSS PIPE to 12" Ductile Iron Pipe</p> <p>15" TRUSS PIPE to 15" Ductile Iron Pipe</p>			
GASKETED FITTINGS FOR 4" & 6" PVC SOLID WALL PIPE				
<p style="text-align: center;"><i>1/16 BEND</i></p>  <p>Notes: a) Molded parts.</p>	<p>4" (H-H) 4" (H-S)</p> <p>6" (H-H) 6" (H-S)</p>	<p>1.1 1.1</p> <p>1.3 1.3</p>	<p> 3.8</p> <p> 4.8</p>	
<p style="text-align: center;"><i>1/8 BEND</i></p>  <p>Notes: a) Molded parts.</p>	<p>4" (H-H) 4" (H-S)</p> <p>6" (H-H) 6" (H-S)</p>	<p>1.2 1.2</p> <p>1.6 1.6</p>	<p> 3.9</p> <p> 5.1</p>	

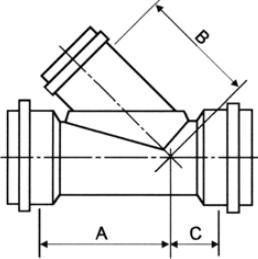

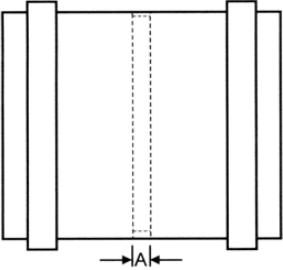
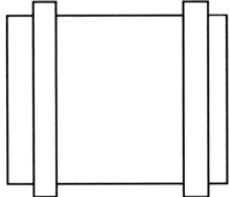
* This fitting is available in either PVC or ABS material.

GASKETED

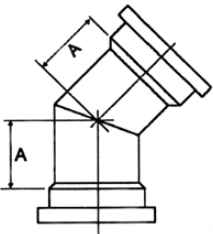
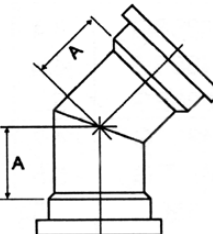
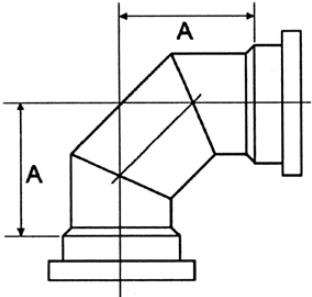
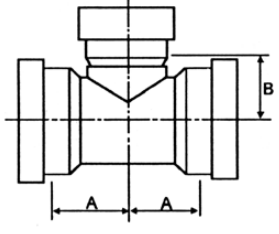
FITTINGS FOR 4" & 6" PVC SOLID WALL PIPE

TYPE	AVAILABLE SIZES	A	B	C
		(Inches)		
<p>1/4 BEND</p>  <p>Notes: a) Molded parts.</p>	<p>4" (H-H) 4" (H-S)</p> <p>6" (H-H) 6" (H-S)</p>	<p>2.4 2.4</p> <p>4.6 4.6</p>	<p></p> <p>5.1</p> <p>8.1</p>	
<p>NON-REDUCING TEES</p>  <p>Notes: a) Molded parts.</p>	<p>4" x 4" x 4" (H-H-H) 6" x 6" x 6" (H-H-H)</p>	<p>2.2 3.3</p>	<p>2.2 3.3</p>	
<p>REDUCING TEES WITH SDR BRANCHES</p>  <p>Notes: a) Molded parts.</p>	<p>6" x 6" x 4" (H-H-h)</p>	<p>2.3</p>	<p>3.2</p>	
<p>NON-REDUCING WYES</p>  <p>Notes: a) Molded parts.</p>	<p>4" x 4" x 4" (H-H-H) 4" x 4" x 4" (H-S-H)</p> <p>6" x 6" x 6" (H-H-H) 6" x 6" x 6" (H-S-H)</p>	<p>5.2 5.2</p> <p>7.6 7.6</p>	<p>5.2 5.2</p> <p>6.8 6.8</p>	<p>1.1 3.8</p> <p>1.5 5.0</p>

GASKETED FITTINGS FOR 4" & 6" PVC SOLID WALL PIPE

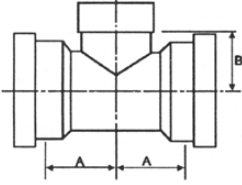
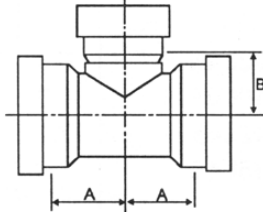
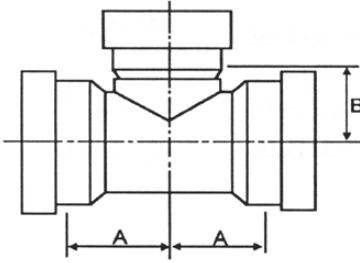
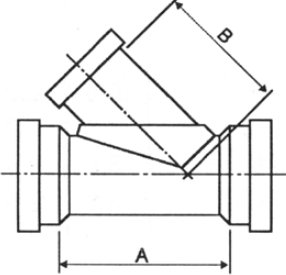
TYPE	AVAILABLE SIZES	A	B	C
		(Inches)		
<p style="text-align: center;"><i>REDUCING WYES WITH SDR BRANCHES</i></p>  <p>Notes: a) Molded parts.</p>	<p>6" x 6" x 6" (H-H-h)</p>	<p>7.6</p>	<p>6.8</p>	<p>1.5</p>
<p style="text-align: center;"><i>SPIGOT CAPS</i></p>  <p>Notes: a) Molded parts.</p>	<p>4" 6"</p>			
<p style="text-align: center;"><i>LOOSE COUPLINGS WITH CENTERSTOP</i></p>  <p>Notes: a) Molded parts.</p>	<p>4" 6"</p>	<p>0.1 0.2</p>		
<p style="text-align: center;"><i>LOOSE COUPLINGS WITHOUT CENTERSTOP</i></p>  <p>Notes: a) Molded parts.</p>	<p>4" 6"</p>			

GASKETED FITTINGS FOR PVC TRUSS PIPE

TYPE	AVAILABLE SIZES	A	B	C
		<i>(Inches)</i>		
<p>1/16 BEND</p> 	<p>8" (H-H) 10" (H-H) 12" (H-H) 15" (H-H)</p>	<p>6.3 6.8 7.1 7.6</p>		
<p>1/8 BEND</p> 	<p>8" (H-H) 10" (H-H) 12" (H-H) 15" (H-H)</p>	<p>6.3 6.8 7.1 7.6</p>		
<p>1/4 BEND</p> 	<p>8" (H-H) 10" (H-H) 12" (H-H) 15" (H-H)</p>	<p>10.3 11.8 13.1 15.3</p>		
<p>NON-REDUCING TEES</p> 	<p>8" x 8" x 8" (H-H-H) 10" x 10" x 10" (H-H-H) 12" x 12" x 12" (H-H-H) 15" x 15" x 15" (H-H-H)</p>	<p>6.5 7.3 8.5 9.8</p>	<p>6.3 7.2 8.3 9.8</p>	

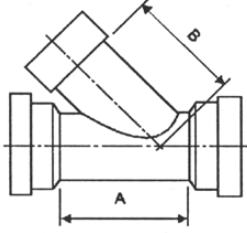
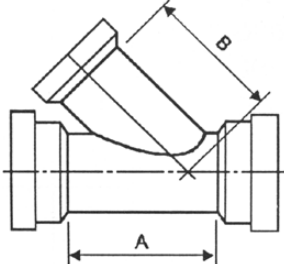
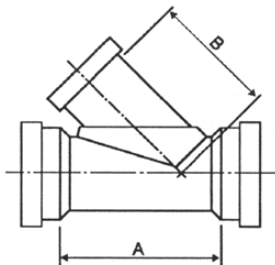
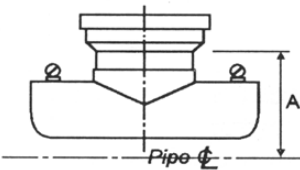
NOTES: 8" thru 15" fittings shown on this page are fabricated from solid wall pipe and are available with Hub x Hub (H-H) ends only.

GASKETED FITTINGS FOR PVC TRUSS PIPE

TYPE	AVAILABLE SIZES	A	B	C
		(Inches)		
<p style="text-align: center;"><i>REDUCING TEES WITH SOLVENT WELD SDR BRANCHES</i></p>  <p>Note: a) 8" fittings are molded parts</p>	8" x 8" x 4" (H-H-h)	3.4	3.4	
	8" x 8" x 6" (H-H-h)	3.4	3.2	
	10" x 10" x 4" (H-H-h)	4.5	7.1	
	10" x 10" x 6" (H-H-h)	5.5	7.2	
	12" x 12" x 4" (H-H-h)	4.7	8.1	
	12" x 12" x 6" (H-H-h)	5.5	8.2	
	15" x 15" x 4" (H-H-h)	4.5	9.4	
	15" x 15" x 6" (H-H-h)	5.5	9.4	
<p style="text-align: center;"><i>REDUCING TEES WITH GASKETED SDR BRANCHES</i></p>  <p>Note: a) 8" fittings are molded parts</p>	8" x 8" x 4" (H-H-h)	3.4	5.9	
	8" x 8" x 6" (H-H-h)	3.4	3.2	
	10" x 10" x 4" (H-H-h)	4.5	7.1	
	10" x 10" x 6" (H-H-h)	5.5	7.2	
	12" x 12" x 4" (H-H-h)	4.7	8.1	
	12" x 12" x 6" (H-H-h)	5.5	8.2	
	15" x 15" x 4" (H-H-h)	4.5	9.4	
	15" x 15" x 6" (H-H-h)	5.5	9.4	
<p style="text-align: center;"><i>REDUCING TEES WITH TRUSS PIPE BRANCHES</i></p> 	10" x 10" x 8" (H-H-h)	6.5	7.2	
	12" x 12" x 8" (H-H-h)	6.5	8.2	
	12" x 12" x 10" (H-H-h)	7.5	8.2	
	15" x 15" x 8" (H-H-h)	6.5	9.5	
	15" x 15" x 10" (H-H-h)	7.5	9.4	
	15" x 15" x 12" (H-H-h)	8.3	9.6	
<p style="text-align: center;"><i>NON-REDUCING WYES</i></p> 	8" x 8" x 8" (H-H-H)	8.8	13.3	
	10" x 10" x 10" (H-H-H)	20.6	15.2	
	12" x 12" x 12" (H-H-H)	23.4	18.0	
	15" x 15" x 15" (H-H-H)	27.8	21.2	

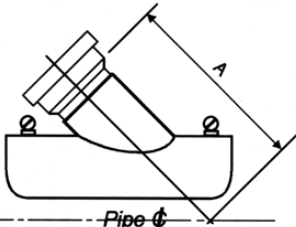
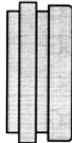
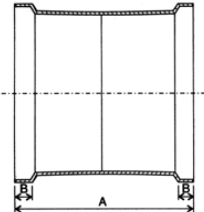
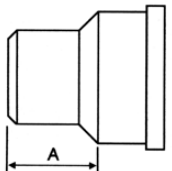
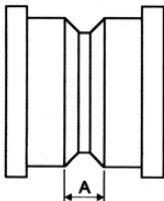
NOTES: 8" thru 15" fitting shown on this page are fabricated from solid wall pipe and are available with Hub x Hub (H-H) ends only, except as noted above.

GASKETED FITTINGS FOR PVC TRUSS PIPE

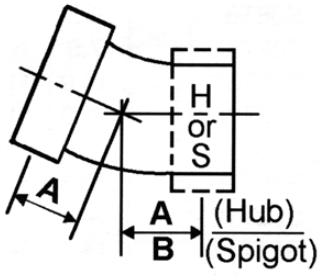
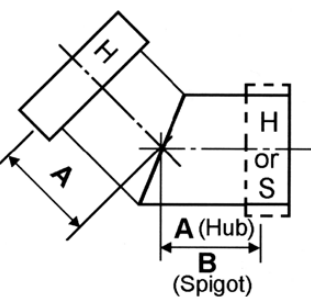
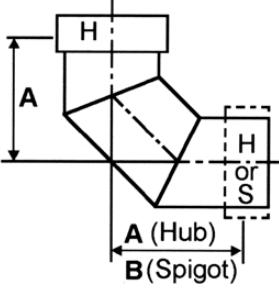
TYPE	AVAILABLE SIZES	A	B	C
		(Inches)		
<p style="text-align: center;"><i>REDUCING WYES WITH SOLVENT WELD SDR BRANCHES</i></p>  <p>Note: a) 8" fittings are molded parts.</p>	8" x 8" x 4" (H-H-h)	10.4	10.6	
	8" x 8" x 6" (H-H-h)	10.4	10.4	
	10" x 10" x 4" (H-H-h)	10.6	11.7	
	10" x 10" x 6" (H-H-h)	13.6	12.7	
	12" x 12" x 4" (H-H-h)	10.4	13.1	
	12" x 12" x 6" (H-H-h)	13.4	14.2	
	15" x 15" x 4" (H-H-h)	12.8	14.8	
	15" x 15" x 6" (H-H-h)	13.8	15.9	
<p style="text-align: center;"><i>REDUCING WYES WITH GASKETED SDR BRANCHES</i></p>  <p>Note: a) 8" fittings are molded parts.</p>	8" x 8" x 4" (H-H-h)	10.4	13.1	
	8" x 8" x 6" (H-H-h)	10.4	10.4	
	10" x 10" x 4" (H-H-h)	10.6	11.7	
	10" x 10" x 6" (H-H-h)	13.6	12.7	
	12" x 12" x 4" (H-H-h)	10.4	13.1	
	12" x 12" x 6" (H-H-h)	13.4	14.2	
	15" x 15" x 4" (H-H-h)	12.8	14.8	
	15" x 15" x 6" (H-H-h)	13.8	15.9	
<p style="text-align: center;"><i>REDUCING WYES WITH TRUSS PIPE BRANCHES</i></p> 	10" x 10" x 8" (H-H-h)	16.6	13.8	
	12" x 12" x 8" (H-H-h)	16.4	15.2	
	12" x 12" x 10" (H-H-h)	20.4	16.6	
	15" x 15" x 8" (H-H-h)	16.8	16.9	
	15" x 15" x 10" (H-H-h)	20.8	18.4	
	15" x 15" x 12" (H-H-h)	23.8	21.2	
<p style="text-align: center;"><i>SADDLE TEE WITH GASKETED SDR BRANCHES</i></p>  <p>Notes: a) Saddle is either field solvent welded or attached with a gasket to pipe. Branch end is gasketed (G). b) All parts are molded.</p>	8" x 4"	7.9		
	8" x 6"	8.3		
	10" x 4"	8.5		
	10" x 6"	9.3		
	12" x 4"	9.5		
	12" x 6"	10.3		
	15" x 4"	11.5		
	15" x 6"	12.3		

NOTES: 8" thru 15" fittings shown on this page are fabricated from solid wall pipe and are available with Hub x Hub (H-H) ends only, except as noted above.

GASKETED FITTINGS FOR PVC TRUSS PIPE

TYPE	AVAILABLE SIZES	A	B	C
		<i>(Inches)</i>		
<p style="text-align: center;"><i>SADDLE WYE WITH GASKETED SDR BRANCHES</i></p>  <p>Notes: a) Saddle is field solvent welded. Branch end is gasketed (G). b) All parts are molded.</p>	<p>8" x 4" 8" x 6" 10" x 4"</p> <p>10" x 6" 12" x 4" 12" x 6" 15" x 4" 15" x 6"</p>	<p>12.3 11.6 13.9</p> <p>15.7 13.6 17.4 19.1 19.9</p>		
<p style="text-align: center;"><i>SPIGOT CAPS</i></p>  <p>Notes: a) Fabricated part.</p>	<p>8" 10" 12" 15"</p>			
<p style="text-align: center;"><i>GASKETED REPAIR COUPLING</i></p> 	<p>8" 10" 12" 15"</p>	<p>8.75 9 9.5 10.5</p>	<p>1.5 1.5 1.5 1.75</p>	
<p style="text-align: center;"><i>TRUSS PIPE TO SDR ADAPTER</i></p>  <p>Notes: a) Adapter has one end with a TRUSS PIPE gasketed bell, other end is SDR spigot. b) Fabricated part.</p>	<p>8" (BELL-SPIGOT) 10" (BELL-SPIGOT) 12" (BELL-SPIGOT) 15" (BELL-SPIGOT)</p>	<p>5.8 7.3 6.0 9.0</p>		
<p style="text-align: center;"><i>LOOSE COUPLINGS WITH CENTERSTOP</i></p>  <p>Notes: a) Fabricated from solid wall pipe.</p>	<p>8" 10" 12" 15"</p>	<p>1.0 2.0 2.0 2.5</p>		

SOLVENT WELD FITTINGS FOR TRUSS PIPE

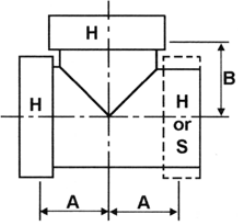
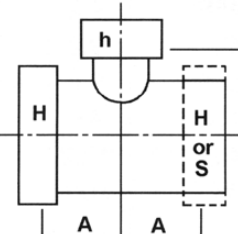
TYPE	AVAILABLE SIZES	A	B	C
		(Inches)		
<p style="text-align: center;"><i>1/16 BEND *</i></p>  <p style="text-align: center;">Notes: a) 4" & 6" are molded parts.</p>	4" (H-S)	0.6	2.5	
	6" (H-S)	1.0	3.3	
	8" (H-S)	8.0	8.0	
	8" (H-H)	8.0		
	10" (H-S)	9.0	9.0	
	10" (H-H)	9.0		
	12" (H-S)	10.0	10.0	
	12" (H-H)	10.0		
	15" (H-S)	10.0	10.0	
	15" (H-H)	10.0		
<p style="text-align: center;"><i>1/8 BEND *</i></p>  <p style="text-align: center;">Notes: a) 4", 6" & 8" are molded parts.</p>	4" (H-S)	1.2	2.8	
	4" (H-H)	1.2	2.8	
	6" (H-S)	1.6	4.1	
	6" (H-H)	1.6	4.1	
	8" (H-S)	8.0	8.0	
	8" (H-H)	2.2		
	10" (H-S)	9.2	9.2	
	10" (H-H)	9.2		
	12" (H-S)	9.6	9.6	
	12" (H-H)	9.6		
<p style="text-align: center;"><i>1/4 BEND *</i></p>  <p style="text-align: center;">Notes: a) 4", 6" & 8" are molded parts.</p>	4" (H-S)	2.3	4.3	
	4" (H-H)	2.3	4.3	
	6" (H-S)	3.3	6.1	
	6" (H-H)	3.3	6.1	
	8" (H-S)	13.2	13.2	
	8" (H-H)	6.6		
	10" (H-S)	16.5	16.5	
	10" (H-H)	16.5		
	12" (H-S)	16.4	16.4	
	12" (H-H)	16.4		
15" (H-S)	20.7	20.7		
15" (H-H)	20.7			

* These fittings are available in either PVC or ABS material.

NOTES:

- a) 8" thru 15" fittings shown on this page are fabricated from solid wall pipe and are available with Hub x Hub (H-H) ends only.
- b) Fittings for TRUSS PIPE are also available fabricated from TRUSS PIPE with Hub x Spigot (H-S) or Hub x Hub (H-H) on main line.

SOLVENT WELD FITTINGS FOR TRUSS PIPE

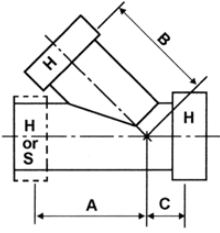
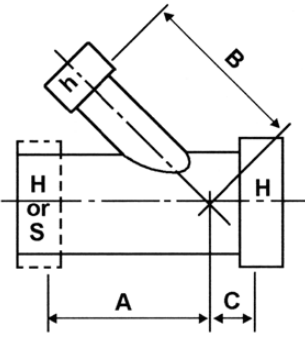
TYPE	AVAILABLE SIZES	A	B	C
		<i>(Inches)</i>		
<p style="text-align: center;"><i>NON-REDUCING TEES*</i></p>  <p>Notes: a) 4", 6" & 8" are molded parts.</p>	4" x 4" x 4" (H-S-H)	6.4	2.5	
	6" x 6" x 6" (H-S-H)	9.5	3.4	
	8" x 8" x 8" (H-H-H)	7.9	6.1	
	8" x 8" x 8" (H-S-H)	11.0	11.0	
	8" x 8" x 8" (H-H-H)	11.0	11.0	
	10" x 10" x 10" (H-S-H)	13.3	13.3	
	10" x 10" x 10" (H-H-H)	13.3	13.3	
	12" x 12" x 12" (H-S-H)	14.1	14.1	
	12" x 12" x 12" (H-H-H)	14.1	14.1	
	15" x 15" x 15" (H-S-H)	16.2	16.2	
15" x 15" x 15" (H-H-H)	16.2	16.2		
<p style="text-align: center;"><i>REDUCING TEES*</i></p>  <p>Notes: a) 4", 6" & 8" are molded parts. b) 4' and 6" outlet branch (h) can be adapted to a gasketed connection.</p>	6" x 6" x 4" (H-S-h)	6.0	4.1	
	8" x 8" x 4" (H-S-h)	12.0	6.6	
	8" x 8" x 4" (H-H-h)	12.0	6.6	
	8" x 8" x 6" (H-S-h)	12.0	6.8	
	8" x 8" x 6" (H-H-h)	12.0	6.8	
	10" x 10" x 4" (H-S-h)	12.0	8.0	
	10" x 10" x 4" (H-H-h)	12.0	8.0	
	10" x 10" x 6" (H-S-h)	12.0	7.8	
	10" x 10" x 6" (H-H-h)	12.0	7.8	
	10" x 10" x 8" (H-S-h)	13.3	13.5	
	10" x 10" x 8" (H-H-h)	13.3	13.5	
	12" x 12" x 4" (H-S-h)	12.0	9.0	
	12" x 12" x 4" (H-H-h)	12.0	9.0	
	12" x 12" x 6" (H-S-h)	12.0	8.8	
	12" x 12" x 6" (H-H-h)	12.0	8.8	
	12" x 12" x 8" (H-S-h)	14.1	14.3	
	12" x 12" x 8" (H-H-h)	14.1	14.3	
	12" x 12" x 10" (H-S-h)	14.1	14.3	
	12" x 12" x 10" (H-H-h)	14.1	14.3	
	15" x 15" x 4" (H-S-h)	12.0	11.0	
	15" x 15" x 4" (H-H-h)	12.0	11.0	
	15" x 15" x 6" (H-S-h)	12.0	10.8	
	15" x 15" x 6" (H-H-h)	12.0	10.8	
15" x 15" x 8" (H-S-h)	16.2	16.4		
15" x 15" x 8" (H-H-h)	16.2	16.4		
15" x 15" x 10" (H-S-h)	16.2	16.4		
15" x 15" x 10" (H-H-h)	16.2	16.4		
15" x 15" x 12" (H-S-h)	16.2	16.4		
15" x 15" x 12" (H-H-h)	16.2	16.4		

* These fittings are available in either PVC or ABS material.

NOTES:

- a) 8" thru 15" fittings shown on this page are fabricated from solid wall pipe and are available with Hub x Hub (H-H) ends only.
- b) Fittings for TRUSS PIPE are also available fabricated from TRUSS PIPE with Hub x Spigot (H-S) or Hub x Hub (H-H) on main line.

SOLVENT WELD FITTINGS FOR TRUSS PIPE

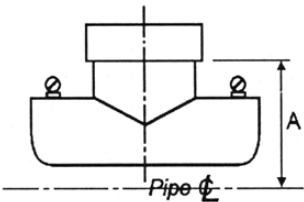
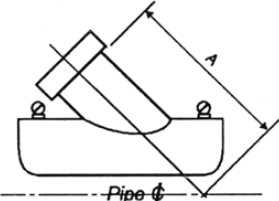

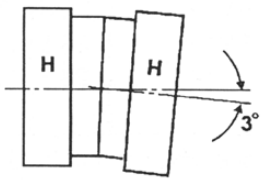
TYPE	AVAILABLE SIZES	A	B	C
		(Inches)		
<p style="text-align: center;"><i>NON-REDUCING WYES *</i></p>  <p>Note: a) 4", 6" & 8" are molded parts.</p>	4" x 4" x 4" (H-S-H)	5.3	5.4	2.7
	6" x 6" x 6" (H-S-H)	8.0	8.0	4.5
	8" x 8" x 8" (H-S-H)	18.0	18.0	8.0
	8" x 8" x 8" (H-H-H)	18.0	18.0	8.0
	10" x 10" x 10" (H-S-H)	21.2	21.2	9.3
	10" x 10" x 10" (H-H-H)	21.2	21.2	9.3
	12" x 12" x 12" (H-S-H)	24.6	24.6	9.4
	12" x 12" x 12" (H-H-H)	24.6	24.6	9.4
	15" x 15" x 15" (H-S-H)	28.8	28.8	12.8
	15" x 15" x 15" (H-H-H)	28.8	28.8	12.8
<p style="text-align: center;"><i>REDUCING WYES *</i></p>  <p>Notes: a) 4", 6" & 8" are molded parts. b) 4" and 6" outlet branch (h) can be adapted to a gasketed connection.</p>	6" x 6" x 4" (H-S-h)	8.1	8.8	4.2
	8" x 8" x 4" (H-S-h)	16.7	9.3	7.3
	8" x 8" x 4" (H-H-h)	16.7	9.3	7.3
	8" x 8" x 6" (H-S-h)	16.7	7.3	7.3
	8" x 8" x 6" (H-H-h)	16.7	7.3	7.3
	10" x 10" x 4" (H-S-h)	17.9	11.9	6.1
	10" x 10" x 4" (H-H-h)	17.9	11.9	6.1
	10" x 10" x 6" (H-S-h)	17.9	11.7	6.1
	10" x 10" x 6" (H-H-h)	17.9	11.7	6.1
	10" x 10" x 8" (H-S-h)	21.2	21.4	9.3
	10" x 10" x 8" (H-H-h)	21.2	21.4	9.3
	12" x 12" x 4" (H-S-h)	19.0	13.6	5.0
	12" x 12" x 4" (H-H-h)	19.0	13.6	5.0
	12" x 12" x 6" (H-S-h)	19.0	13.4	5.0
	12" x 12" x 6" (H-H-h)	19.0	13.4	5.0
	12" x 12" x 8" (H-S-h)	24.6	24.8	9.4
	12" x 12" x 8" (H-H-h)	24.6	24.8	9.4
	12" x 12" x 10" (H-H-h)	24.6	24.8	9.4
	15" x 15" x 4" (H-S-h)	21.8	16.1	3.2
	15" x 15" x 4" (H-H-h)	21.8	16.1	3.2
	15" x 15" x 6" (H-S-h)	21.8	15.9	3.2
	15" x 15" x 6" (H-H-h)	21.8	15.9	3.2
	15" x 15" x 8" (H-S-h)	28.8	29.0	12.8
	15" x 15" x 8" (H-H-h)	28.8	29.0	12.8
15" x 15" x 10" (H-S-h)	28.8	29.0	12.8	
15" x 15" x 10" (H-H-h)	28.8	29.0	12.8	
15" x 15" x 12" (H-S-h)	28.8	29.0	12.8	
15" x 15" x 12" (H-H-h)	28.8	29.0	12.8	

* These fittings are available in either PVC or ABS material.

NOTES:

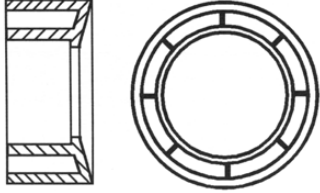
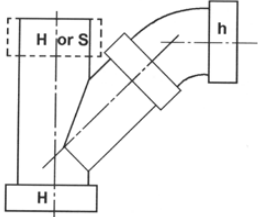
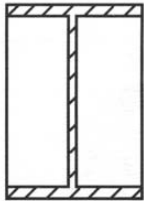

- a) 8" thru 15" fittings shown on this page are fabricated from solid wall pipe and are available with Hub x Hub (H-H) ends only.
- b) Fittings for TRUSS PIPE are also available fabricated from TRUSS PIPE with Hub x Spigot (H-S) or Hub x Hub (H-H) on main line.

SOLVENT WELD FITTINGS FOR PVC TRUSS PIPE

TYPE	AVAILABLE SIZES	A	B	C
		(Inches)		
<p style="text-align: center;"><i>SADDLE TEE *</i></p>  <p>Notes: a) All saddles are molded part, except saddles with 8" stubs are fabricated parts.</p>	6" x 4"	3.3		
	8" x 4"	4.9		
	8" x 6"	4.3		
	10" x 4"	5.5		
	10" x 6"	5.3		
	10" x 8"	4.6		
	12" x 4"	6.5		
	12" x 6"	6.3		
	12" x 8"	6.1		
	15" x 4"	8.5		
	15" x 6"	8.3		
	15" x 8"	7.6		
<p style="text-align: center;"><i>SADDLE WYE *</i></p>  <p>Notes: a) Molded parts.</p>	6" x 4"	7.0		
	8" x 4"	9.3		
	8" x 6"	7.6		
	10" x 4"	11.9		
	10" x 6"	11.7		
	12" x 4"	13.6		
	12" x 6"	13.4		
	15" x 4"	16.1		
15" x 6"	15.9			
<p style="text-align: center;"><i>SPIGOT CAP</i></p>  <p>Notes: a) 4", 6" and 8" are molded parts. Others are fabricated parts.</p>	4"			
	6"			
	8"			
	10"			
	12"			
	15"			
<p style="text-align: center;"><i>3° COUPLING</i></p>  <p>Notes: a) 8" is a molded part. Others are fabricated parts.</p>	4" (H-H)			
	6" (H-H)			
	8" (H-H)			
	10" (H-H)			
	12" (H-H)			
	15" (H-H)			

* These fittings are available in either PVC or ABS material.

SOLVENT WELD FITTINGS FOR TRUSS PIPE

TYPE	AVAILABLE SIZES	A	B	C
		(Inches)		
<p style="text-align: center;"><i>BUSHINGS *</i></p> <div style="text-align: center;">  </div> <p>Notes: a) 6" x 4" and 8" x 6" are molded parts. Other sizes are fabricated.</p>	<p>6" x 4" 8" x 6" 10" x 8" 12" x 8" 12" x 10"</p> <hr/> <p>15" x 8" 15" x 10" 15" x 12"</p>			
<p style="text-align: center;"><i>FABRICATED TEE-WYE *</i></p> <div style="text-align: center;">  </div> <p>Notes: a) Assembled molded parts.</p>	<p>4" x 4" x 4" (H-S-H) 6" x 6" x 6" (H-S-H) 8" x 8" x 4" (H-H-h) 8" x 8" x 6" (H-H-h)</p>			
<p style="text-align: center;"><i>COUPLING WITH CENTER STOP</i></p> <div style="text-align: center;">  </div>	<p>4" (H-H) 6" (H-H) 8" (H-H)</p> <hr/> <p>10" (H-H) 12" (H-H) 15" (H-H)</p>			
<p style="text-align: center;"><i>COUPLING WITHOUT CENTER STOP</i></p> <div style="text-align: center;">  </div>	<p>4" (H-H) 6" (H-H) 8" (H-H)</p> <hr/> <p>10" (H-H) 12" (H-H) 15" (H-H)</p>			

* These fittings are available in either PVC or ABS material.

Site Development Solutions

Innovative Civil Engineering Solutions is the hallmark of Contech's nationwide team of Sales Engineer. Combined with our wide variety of site development products we can solve most civil engineering problems. Innovative applications for Stormwater, Drainage, Bridges, and Earth Stabilization begin at Contech.

Contech Drainage Solutions

HEL-COR® Corrugated Steel Pipe and CORLIX® Corrugated Aluminum Pipe ... Designed for drainage culverts, storm sewers, stream enclosures and underground conduits for highway, railway, industrial and municipal applications. Provided in a variety of linings and coatings to meet specific durability and hydraulic requirements.

HEL-COR CL Pipe ... Concrete-lined for top-flow capacity plus proven strength of corrugated steel design.

End Sections ... An end finish for culverts and sewer outfalls, either pipe or pipe-arch structures in steel or aluminum.

ULTRA FLO® Storm Sewer Pipe ... Offers improved hydraulic capacity and lightweight for storm sewers.

Slotted Drain® ... An efficient system for highways, parking lots, or other surface drainage involving only narrow slots on the surface.

Vortechs® Stormwater Treatment System ... Efficiently removes contaminated sediment, floating hydrocarbons, and debris from surface runoff.

Perforated Pipe ... Subdrainage applications for airports, highways and railroads. Available in metal and plastic pipe.

HEL-COR Pile Shell ... For foundations under buildings and bridges.

A-2000™ PVC Pipe ... High-strength construction and smooth interior for sanitary collector sewers and storm sewers. Meets ASTM F 949.

A-2026™ PVC Sanitary Pipe ... First small diameter PVC profile-wall pipe with 115 PSI pipe stiffness, which means it's three times stronger than SDR 35.

A2 Liner Pipe™ ... Smooth interior for sliplining storm and sanitary sewers.

ABS and PVC TRUSS PIPE® ... Combines strength, stiffness, joint integrity and economy for gravity-flow sanitary sewers. Meets ASTM D 2680.

For more information, call 1-800-338-1122 or one of Contech's Regional Offices located in the following cities:

Ohio (Corporate Office)	513-645-7000
California (Long Beach)	562-733-0733
Colorado (Denver)	720-587-2700
Florida (Tampa)	727-544-8811
Georgia (Atlanta)	770-409-0814
Maine (Scarborough)	207-885-9830
Maryland (Baltimore)	410-740-8490
Oregon (Portland)	503-258-3180
Texas (Dallas)	972-590-2000

Visit our web site: www.ContechES.com

NOTHING IN THIS CATALOG SHOULD BE CONSTRUED AS AN EXPRESSED WARRANTY OR AN IMPLIED WARRANTY OF MERCHANTABILITY OR FITNESS FOR ANY PARTICULAR PURPOSE. SEE THE CONTECH STANDARD CONDITIONS OF SALE (VIEWABLE AT WWW.CONTECHES.COM/COS) FOR MORE INFORMATION.

Your Local Sales Office is:

